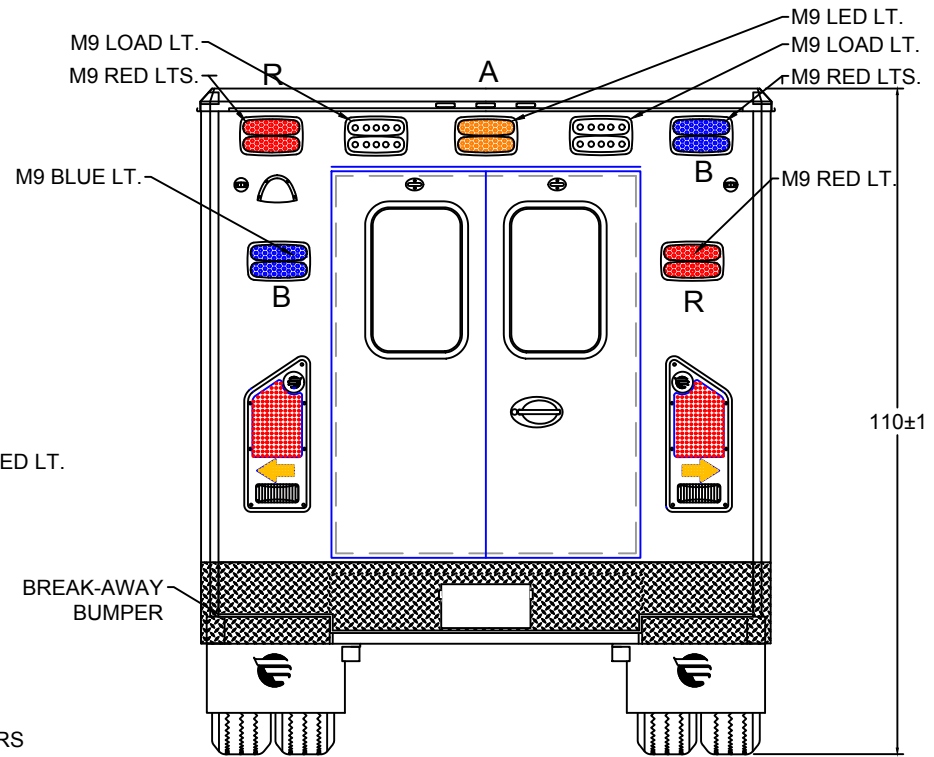
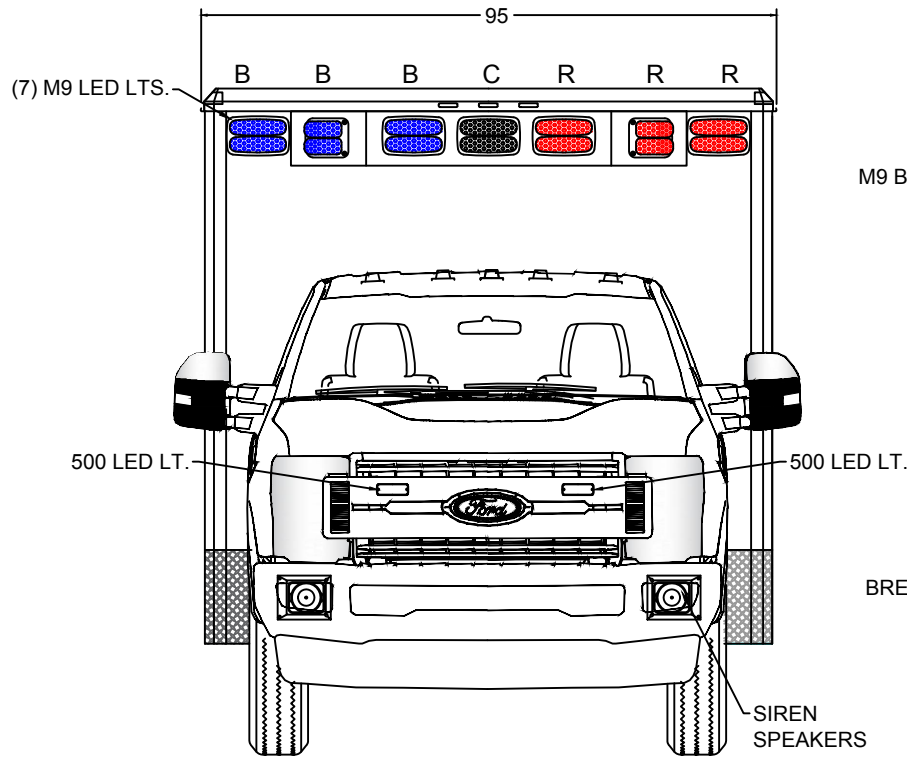


CA165317

FELD DEMO

170 x 95 x 72



EXTERIOR COMPARTMENT DIMENSIONS IN INCHES

INTERIOR DIMENSIONS				PASS THRU		INTERIOR DIMENSIONS				JAMB OPENING	
COMPT.	HEIGHT	WIDTH	DEPTH	HEIGHT	WIDTH	COMPT.	HEIGHT	WIDTH	DEPTH	HEIGHT	WIDTH



TYPE 1 FORD F450 2019
FRONT / REAR
EXTERIOR VIEWS

BE ADVISED THAT THESE ARE PRELIMINARY LAYOUTS INTENDED TO ILLUSTRATE DESIGN INTENT AND DIMENSIONS ARE FOR REFERENCE ONLY PRIOR TO FINAL ENGINEERING

DATE: 2/6/19

SCALE

DWN BY AP

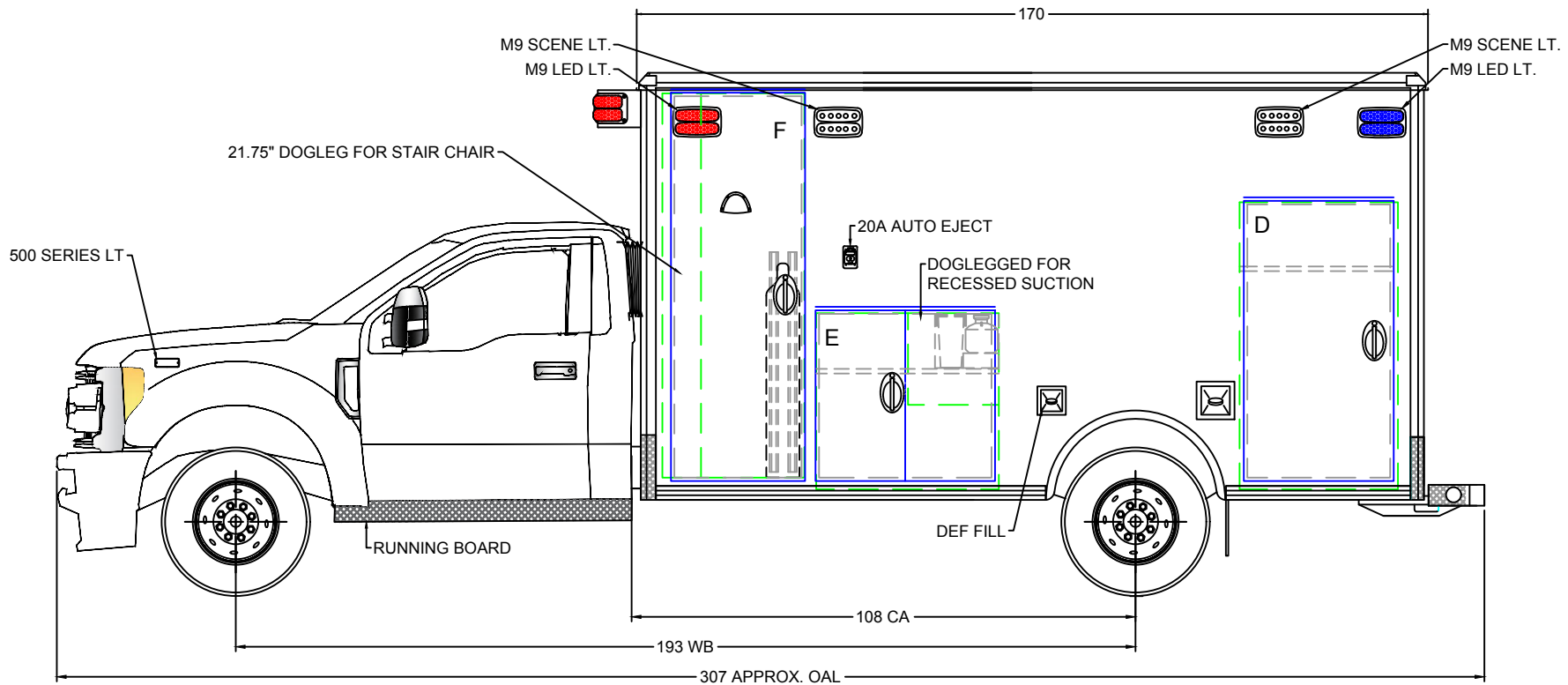
DWG NO 1 / 9

50" AISLE

CA165317

FELD DEMO

170 x 95 x 72



BE ADVISED THAT THESE ARE PRELIMINARY LAYOUTS INTENDED TO ILLUSTRATE DESIGN INTENT AND DIMENSIONS ARE FOR REFERENCE ONLY PRIOR TO FINAL ENGINEERING

EXTERIOR COMPARTMENT DIMENSIONS IN INCHES											
INTERIOR DIMENSIONS				JAMB OPENING		INTERIOR DIMENSIONS				JAMB OPENING	
COMPT.	HEIGHT	WIDTH	DEPTH	HEIGHT	WIDTH	COMPT.	HEIGHT	WIDTH	DEPTH	HEIGHT	WIDTH
D	61.50	34.00	17.00	58.50	30.50						
E	37.75	39.25	17.00	35.00	37.00						
F	82.50	30.50	17.00	81.75	27.25						
50" AISLE											



TYPE 1 FORD F450 2019

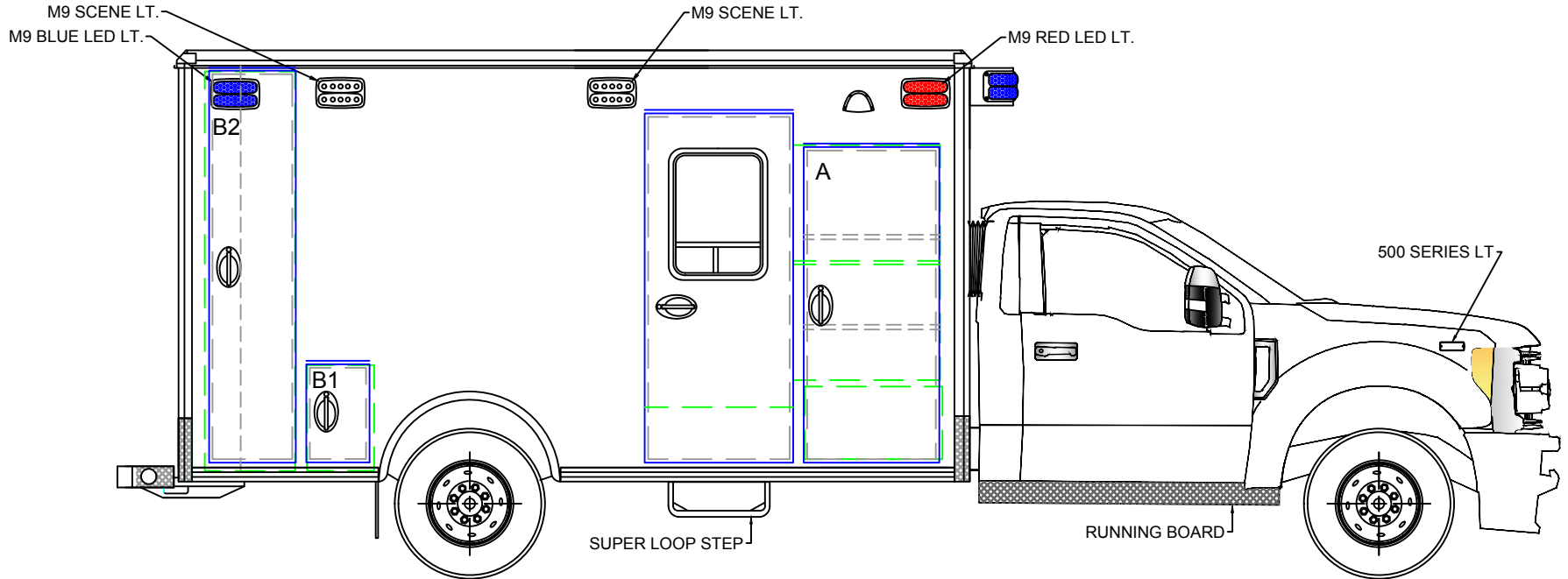
LEFT EXT. VIEW

DATE	2/6/19	SCALE	
DRAWN BY	AP	DWG NO	2 / 9

CA165317


FELD DEMO

170 x 95 x 72



BE ADVISED THAT THESE ARE PRELIMINARY LAYOUTS INTENDED TO ILLUSTRATE DESIGN INTENT AND DIMENSIONS ARE FOR REFERENCE ONLY PRIOR TO FINAL ENGINEERING

EXTERIOR COMPARTMENT DIMENSIONS IN INCHES											
INTERIOR DIMENSIONS				JAMB OPENING		INTERIOR DIMENSIONS				JAMB OPENING	
COMPT.	HEIGHT	WIDTH	DEPTH	HEIGHT	WIDTH	COMPT.	HEIGHT	WIDTH	DEPTH	HEIGHT	WIDTH
A	50.00	31.25	33.50	65.50	27.25						
LOWER-A	15.50	29.25	19.00								
B1	22.50	14.25	17.00	19.25	12.00						
B2	85.00	19.00	18.50	81.75	17.00						
50" AISLE											



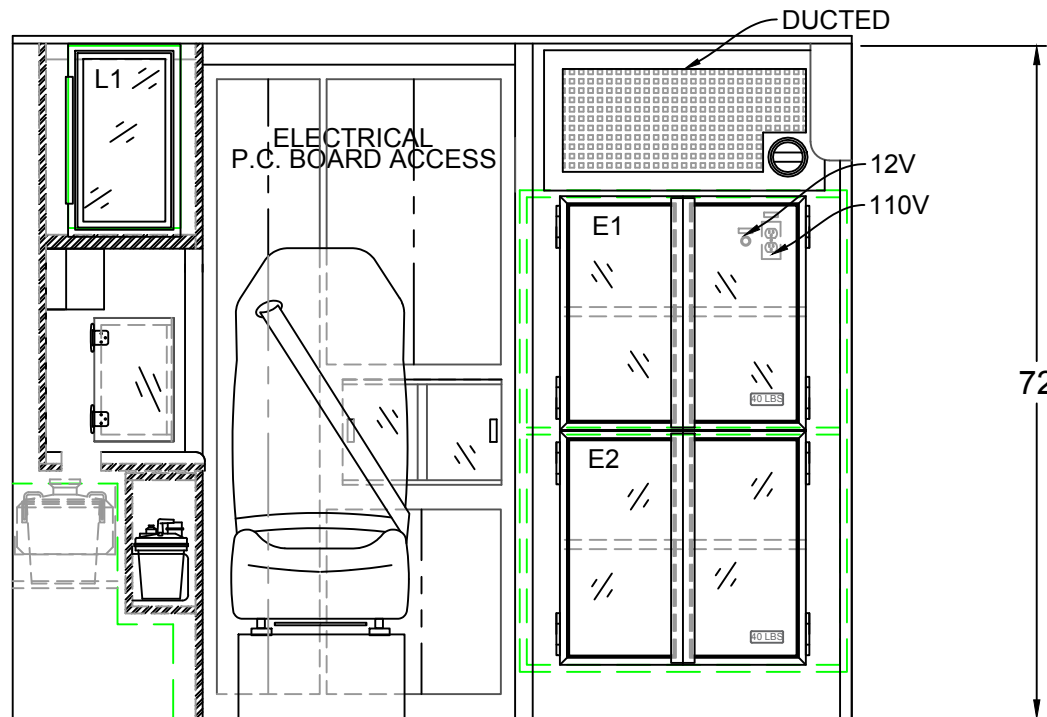
TYPE 1 FORD F450 2019
RIGHT EXT. VIEW

DATE	2/6/19	SCALE	
DRAWN BY	AP	DWG NO	3 / 9

CA165317

FELD DEMO

170 x 95 x 72



BE ADVISED THAT THESE ARE PRELIMINARY LAYOUTS INTENDED TO ILLUSTRATE DESIGN INTENT AND DIMENSIONS ARE FOR REFERENCE ONLY PRIOR TO FINAL ENGINEERING

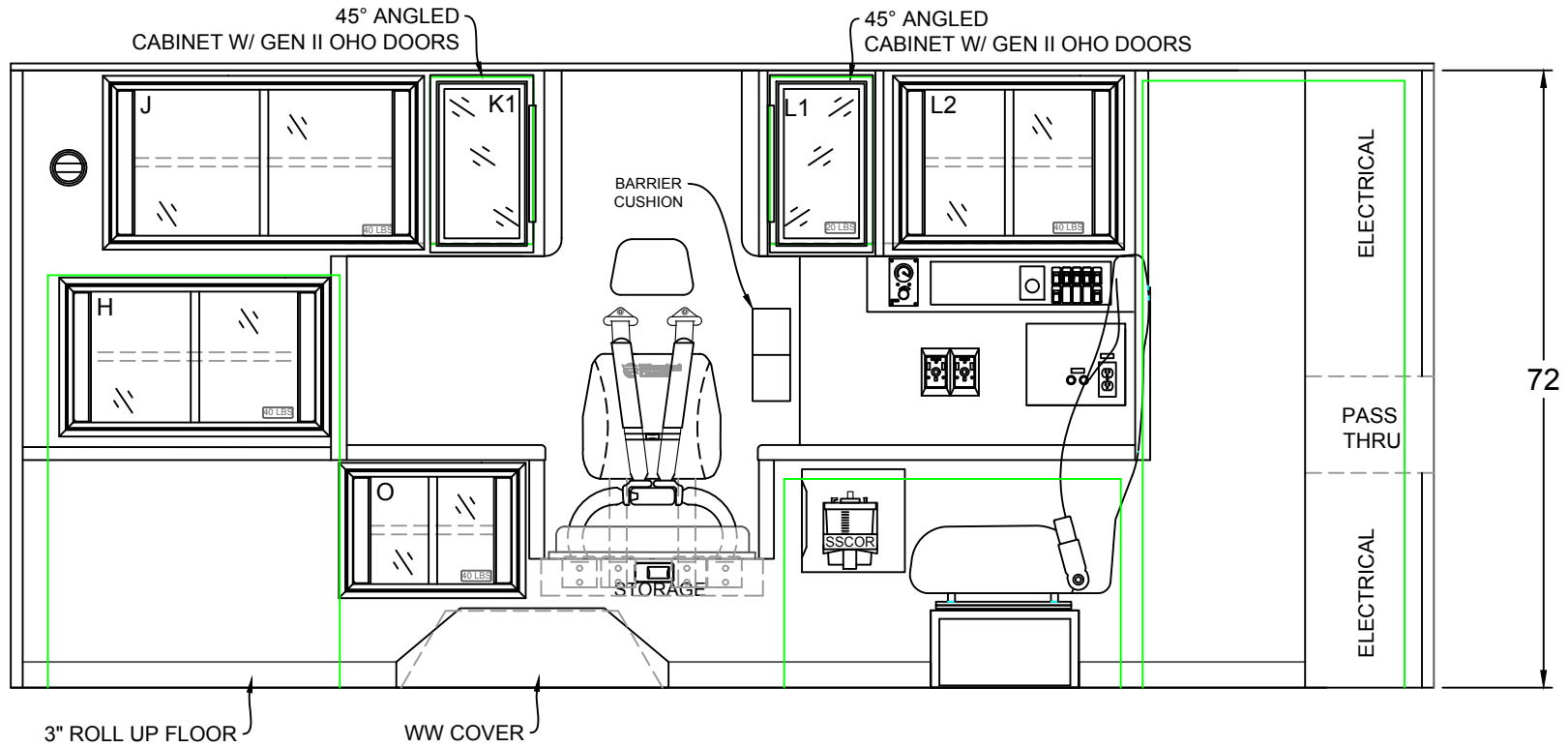
<p>CABINET WEIGHT RATINGS: NON-RESTOCKING = 40 LBS. RESTOCKING = 30 LBS.</p>	<p>INTERIOR CABINET DIMENSIONS IN INCHES</p>								
	CABINET	HEIGHT	WIDTH	DEPTH	CABINET	HEIGHT	WIDTH	DEPTH	
	E1	24.25	33.50	31.25					
	E2	24.25	33.50	31.25					<p>TYPE 1 FORD F450 2019 BULKHEAD INTERIOR</p>
								DATE 2/6/19	SCALE
								DRAWN BY AP	DWG NO 4 / 9

50" AISLE

CA165317

FELD DEMO

170 x 95 x 72



INTERIOR CABINET DIMENSIONS IN INCHES

CABINET	HEIGHT	WIDTH	DEPTH		CABINET	HEIGHT	WIDTH	DEPTH	
H	17.00	30.00	IS/OS		CPR	4.00	21.25	17.50	
J	18.75	25.00	17.50		O	14.25	20.25	17.50	
K1	19.50	35.50	17.50						
L1	19.50	12.00	15.25						
L2	18.75	25.50	15.25						



TYPE 1 FORD F450 2019

LEFT INTERIOR

50" AISLE

CABINET WEIGHT RATINGS:
NON-RESTOCKING = 40 LBS.
RESTOCKING = 30 LBS.

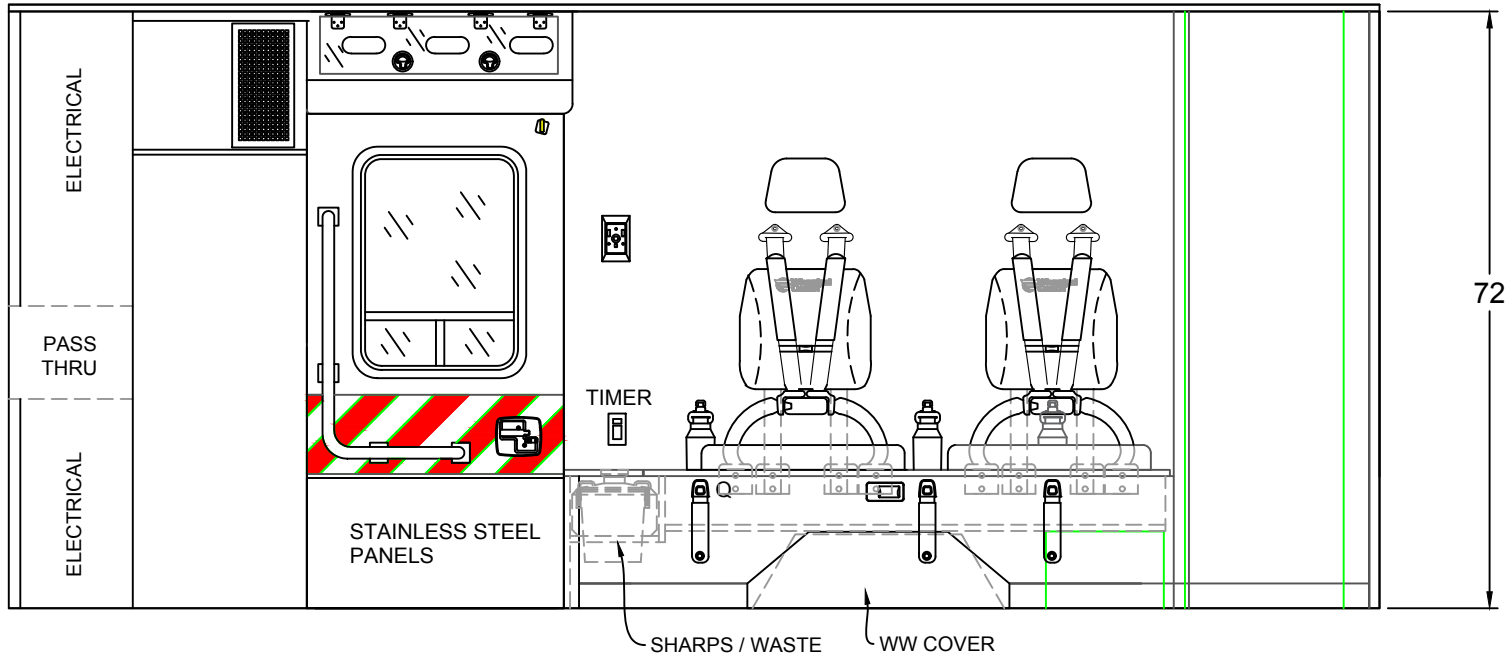
BE ADVISED THAT THESE ARE PRELIMINARY LAYOUTS INTENDED TO ILLUSTRATE DESIGN INTENT AND DIMENSIONS ARE FOR REFERENCE ONLY PRIOR TO FINAL ENGINEERING

DATE:	2/6/19	SCALE:	
DWN BY:	AP	DWG NO:	5 / 9

CA165317

FELD DEMO

170 x 95 x 72



INTERIOR CABINET DIMENSIONS IN INCHES

COMPT.	HEIGHT	WIDTH	DEPTH		COMPT.	HEIGHT	WIDTH	DEPTH	
Q	6.00	60.50	16.75						

50" AISLE

CABINET WEIGHT RATINGS:
NON-RESTOCKING = 40 LBS.
RESTOCKING = 30 LBS.

BE ADVISED THAT THESE ARE PRELIMINARY LAYOUTS INTENDED TO ILLUSTRATE DESIGN INTENT AND DIMENSIONS ARE FOR REFERENCE ONLY PRIOR TO FINAL ENGINEERING



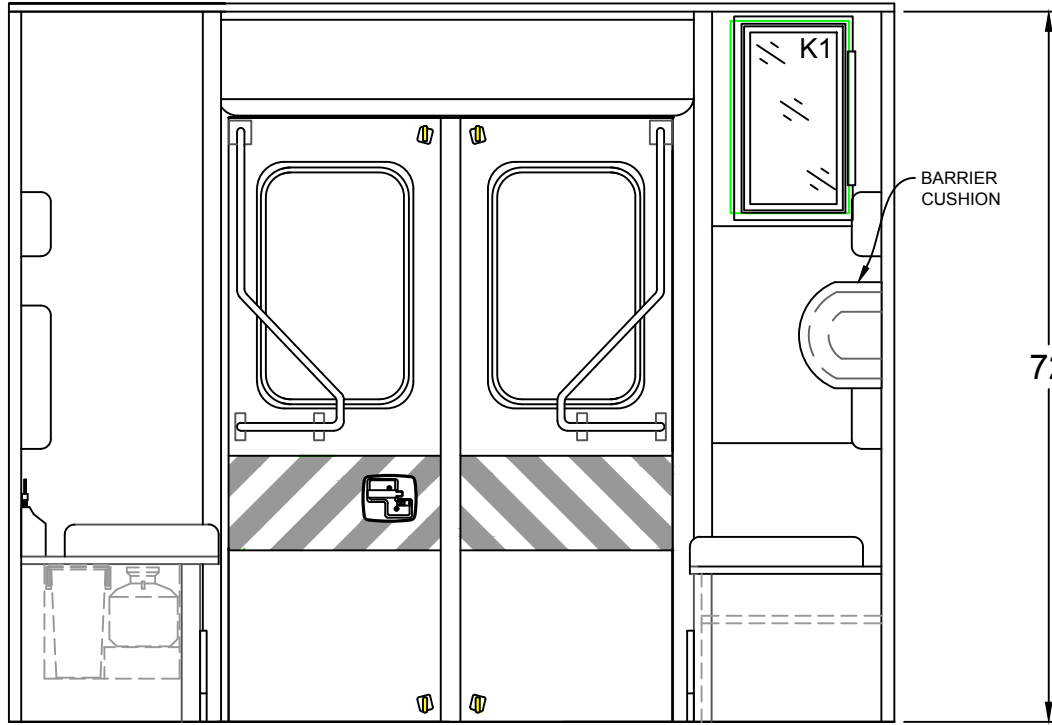
TYPE 1 FORD F450 2019
RIGHT INTERIOR

DATE:	2/6/19	SCALE	
DRAWN BY:	AP	DWG NO.	6 / 9

CA165317

FELD DEMO

170 x 95 x 72



INTERIOR CABINET DIMENSIONS IN INCHES

COMPT.	HEIGHT	WIDTH	DEPTH		COMPT.	HEIGHT	WIDTH	DEPTH	

50" AISLE

CABINET WEIGHT RATINGS:
NON-RESTOCKING = 40 LBS.
RESTOCKING = 30 LBS.

BE ADVISED THAT THESE ARE PRELIMINARY LAYOUTS INTENDED TO ILLUSTRATE DESIGN INTENT AND DIMENSIONS ARE FOR REFERENCE ONLY PRIOR TO FINAL ENGINEERING



TYPE 1 FORD F450 2019

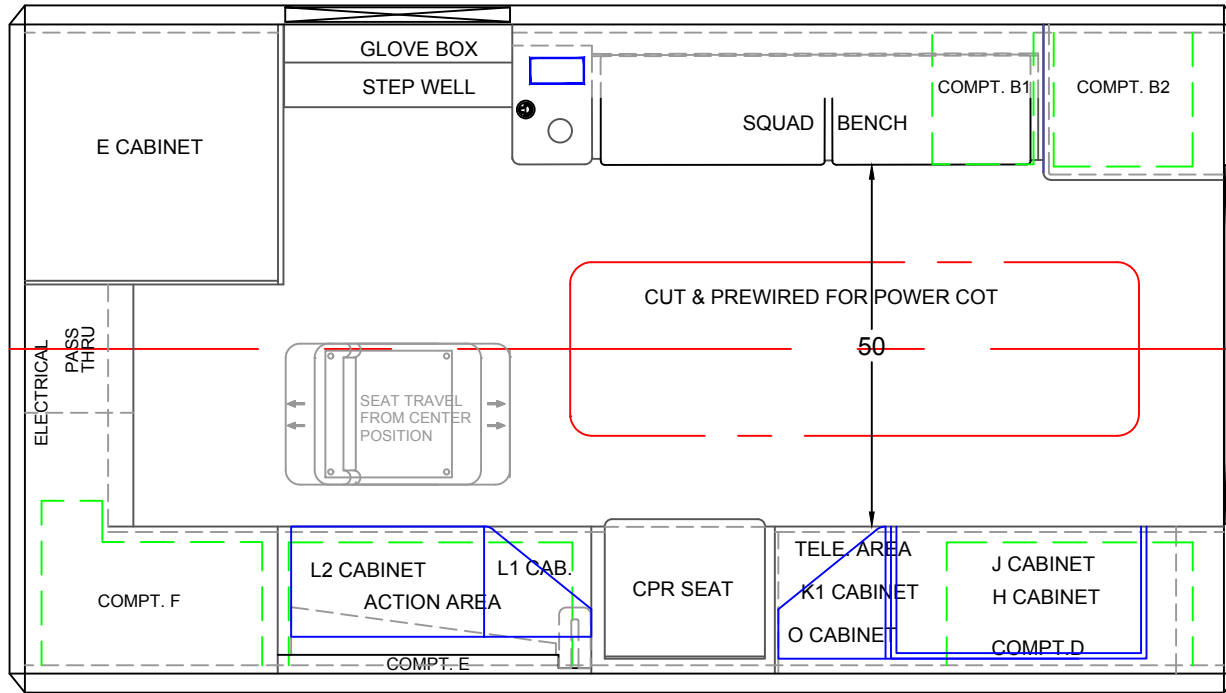
REAR BULKHEAD INTERIOR

DATE:	2/6/19	SCALE	
DWGN BY:	AP	DWG NO:	7 / 9

CA165317

FELD DEMO

170 x 95 x 72



BE ADVISED THAT THESE ARE PRELIMINARY LAYOUTS INTENDED TO ILLUSTRATE DESIGN INTENT AND DIMENSIONS ARE FOR REFERENCE ONLY PRIOR TO FINAL ENGINEERING

INTERIOR CABINET DIMENSIONS IN INCHES

CABINET	HEIGHT	WIDTH	DEPTH	CABINET	HEIGHT	WIDTH	DEPTH



TYPE 1 FORD F450 2019
FLOOR PLAN

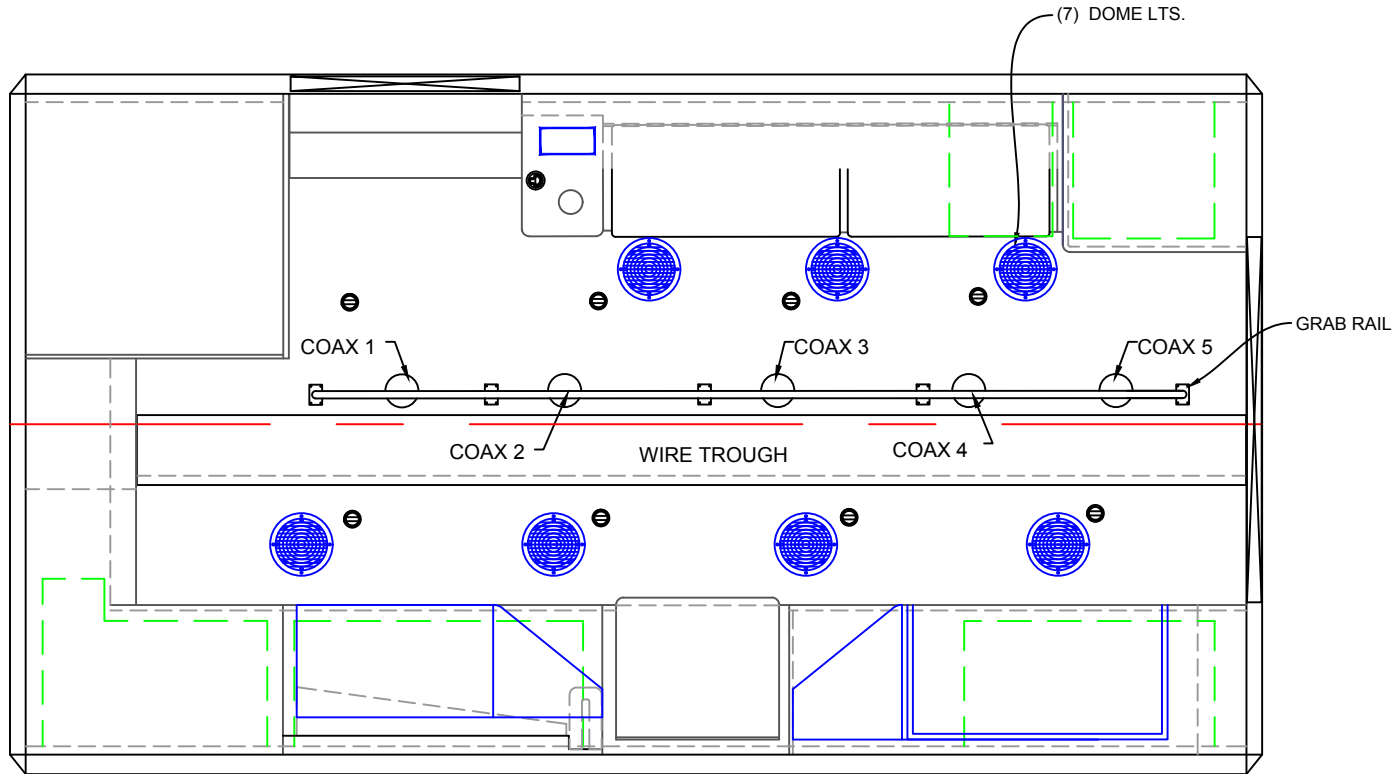
DATE: 2/6/19 SCALE
DWN BY: AP DWG NO: 8 / 9

50" AISLE

CA165317

FELD DEMO

170 x 95 x 72



BE ADVISED THAT THESE ARE PRELIMINARY LAYOUTS INTENDED TO ILLUSTRATE DESIGN INTENT AND DIMENSIONS ARE FOR REFERENCE ONLY PRIOR TO FINAL ENGINEERING

INTERIOR CABINET DIMENSIONS IN INCHES

CABINET	HEIGHT	WIDTH	DEPTH	CABINET	HEIGHT	WIDTH	DEPTH



TYPE 1 FORD F450 2019

LINER

DATE: 2/6/19

SCALE

DWN BY AP

DWG NO 9 / 9

50" AISLE